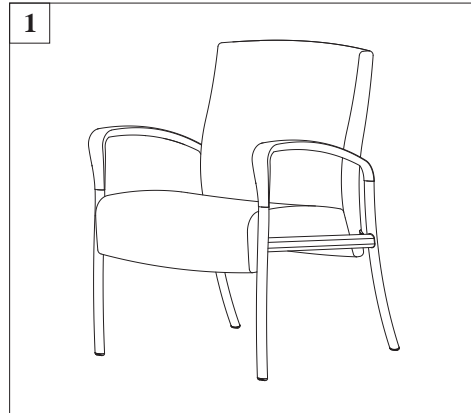


ALOE CHAIR - KNOCK DOWN ASSEMBLY INSTRUCTIONS

Includes: Patient & Guest Back
21", 24" & 30" Widths

TOOLS REQUIRED

3/16" Hex Drive
#2 Phillips Drive

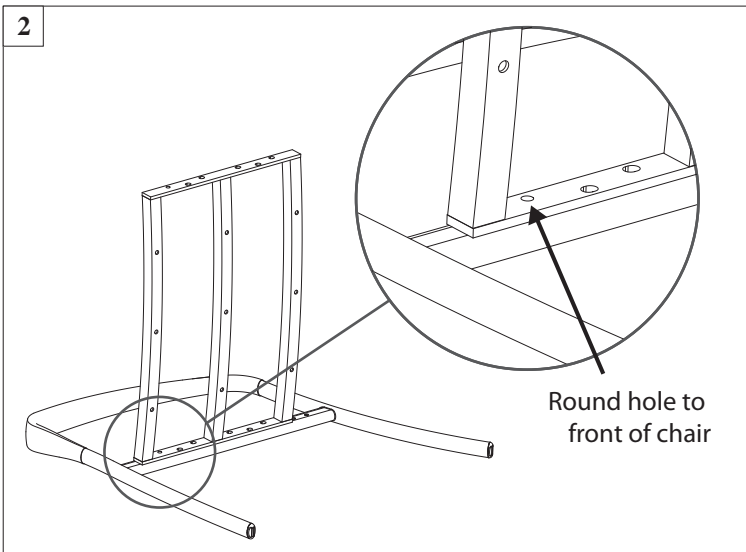


SHIPPED COMPONENTS

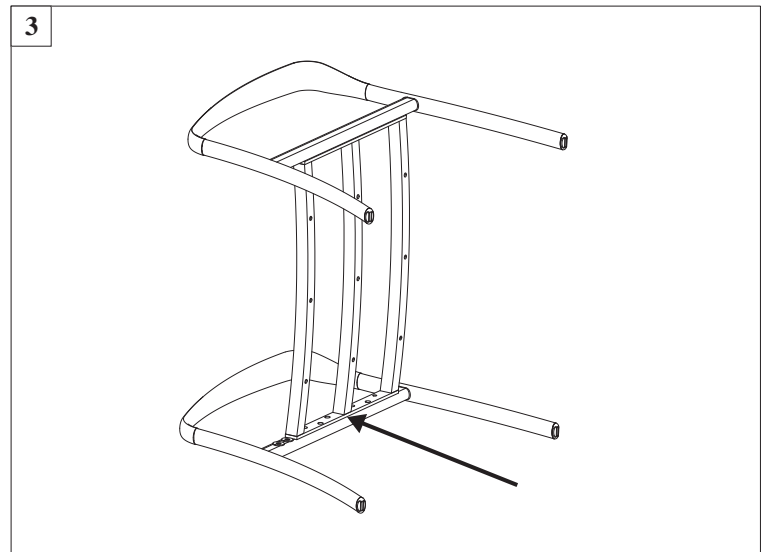
2x Side gables
1x Spanner frame
1x Seat Assembly
1x Back Assembly

HARDWARE

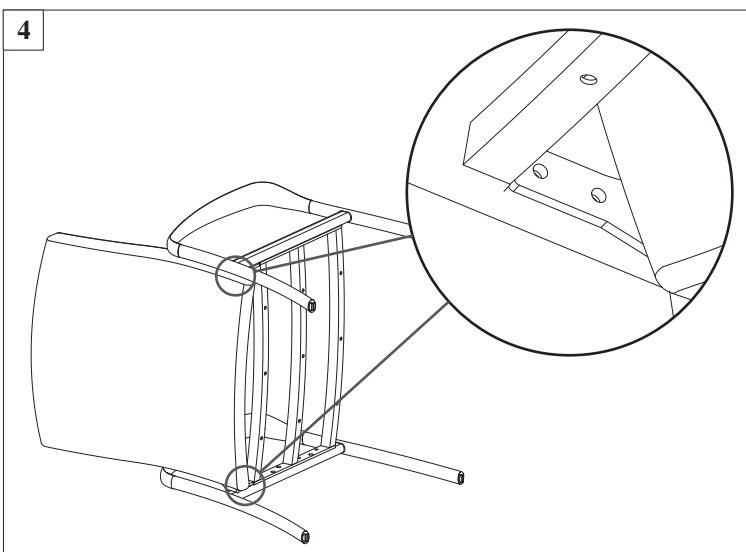
12x 5/16-18x5/8" Button Head Hex Drive
4x 5/16-18x5/8" Flat Head Hex Drive
9x M6x45 Pan Head Phillips Drive



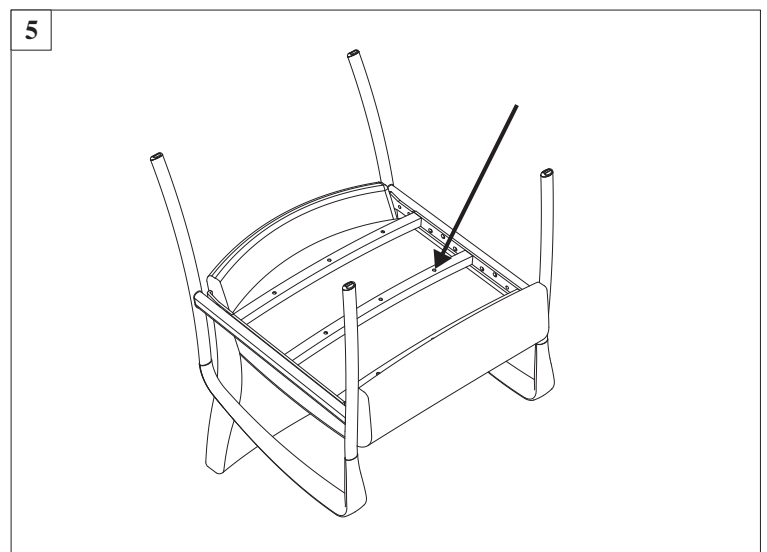
Install 6 *Button Head* screws into side gable. Start at round hole and do not tighten screws completely.



Install 6 additional *Button Head* screws into the opposite side gable. Start at round hole and do not tighten screws completely.



Install 4 *Flat Head* screws (2 per side) into side gables and not tighten screws completely.



Install 9 *Pan Head* screws into seat through spanner frame.

NOTE: Complete Step 5 then refer to image 1 (above centre). Place chair on floor then tighten all 12 *Button Head* screws and 4 *Flat Head* screws to level chair.