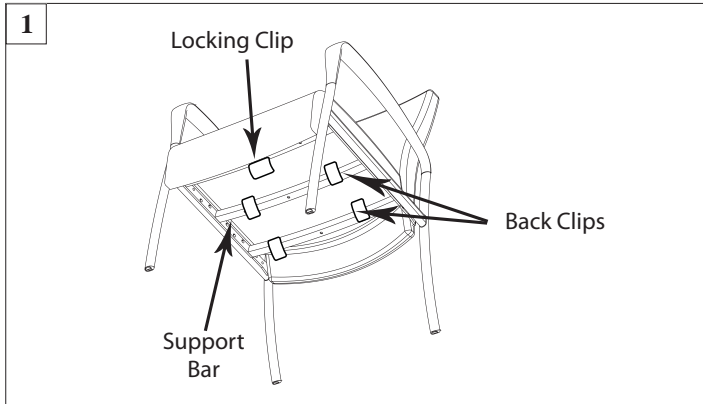


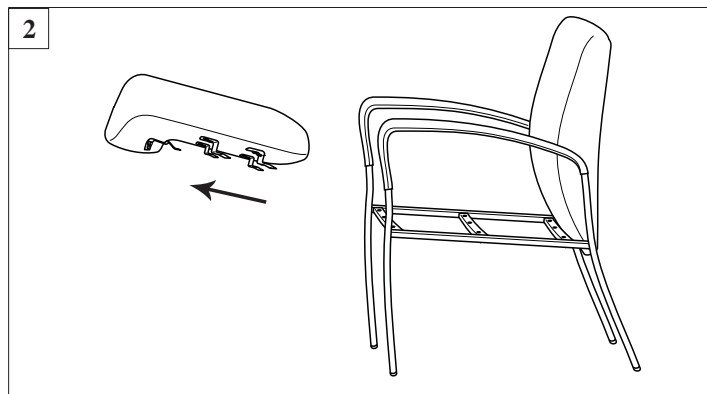
### ALOE CLIP SYSTEM INSTRUCTIONS

Includes: Patient & Guest Back 21", 24" & 30" Widths

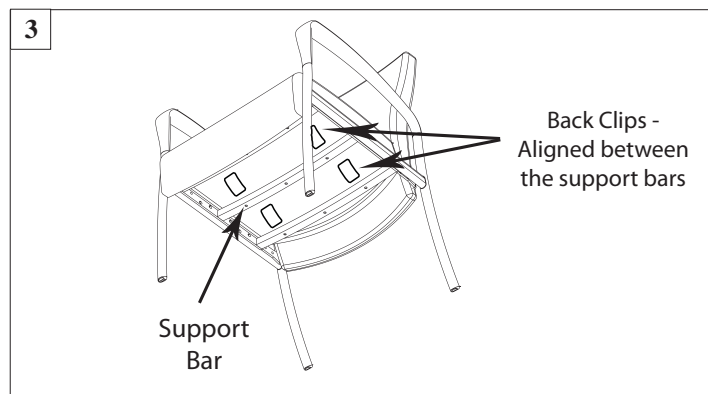


***The chair can remain in the upright position and no tools are necessary to remove and reattach the seat pan.***

1. With the chair in the upright position, pull down on locking clip and pull seat pan forward to release the back clips from the support bars. The locking clip is located underneath the seat pan towards the front of the chair. Pull up to remove seat from frame.



2. Completely remove seat pan from the frame and clean according to the upholstery instructions. Support bars and seat frame can also be cleaned (see healthcentric cleaning instructions).



3. To reattach the seat pan, place seat pan on the chair frame with the back clips between each of the 2 support bars. Align the seat pan to the center of the chair frame and slide seat towards the backrest, pushing against the front edge of the seat pan until all 5 clips lock in place.